

NINGBO TIANBO GANGLIAN ELECTRONICS CO., LTD

TRV4

SPECIFICATION

FILE NUMBER: T810S-A001A

DATE: 2004/06/25

■ CONTACT DATA

Contact Form	1A/1C	1B
Contact Material	Silver Alloy	
Contact Ratings	NO:40A 14VDC NC:30A 14VDC	
Max Switching Voltage	30VDC	
Max Switching Current	40A	
Max Switching Power	560W	
Contact Resistance	100m Ω Max	at 6VDC 1A
Life Expectancy Electrical	100, 000	Operations(at30Operations/minute)
Mechanical	10, 000, 000	Operations

■ GENERAL DATA

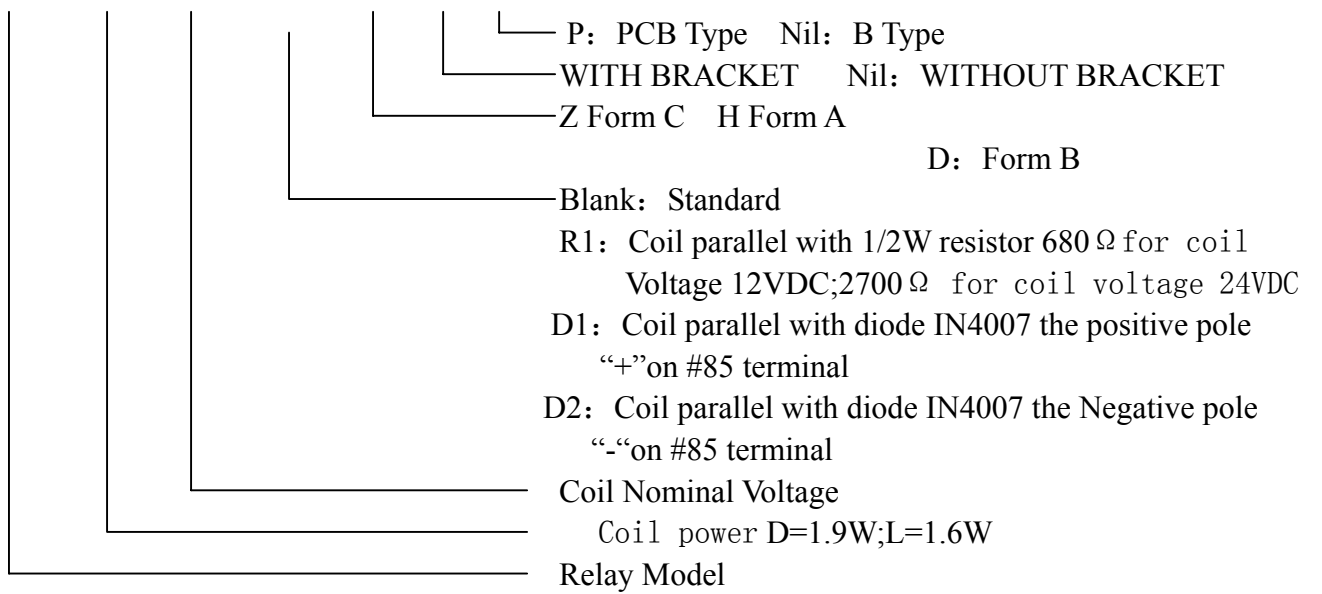
Insulation Resistance	100M Ω Min	at 500VDC
Dielectric Strength Between Open Contacts	500VAC(for one minute)	
Between Contacts and coil	750VAC(for one minute)	
Operate Time	10ms	
Release Time	10ms	
Temperature Range	-40°C to +70°C	
Shock Resistance	20G	11ms
Vibration Resistance	10-55Hz, 1.5mm	
Humidity	40-85%	
Weight	Approx 40g	
Safety Standard		

■ COIL DATA

Nominal Voltage (VDC)	Coil Resistance at 20°C \pm 10% (Ω)		Max Operate Voltage (VDC)	Min Release Voltage (VDC)	Max Applicable Voltage (VDC)
	1.6W	1.9W			
3	5.6	4.7	1.95	0.3	3.9
5	15.6	13	3.25	0.5	6.5
6	22.5	19	3.9	0.6	7.8
12	90	75.8	7.8	1.2	15.6
24	360	303.2	15.6	2.4	31.2

■ ORDERING CODE

TRV4—L—12V (D1)—Z—F—P



OVERALL AND MOUNTING DIMENSIONS

